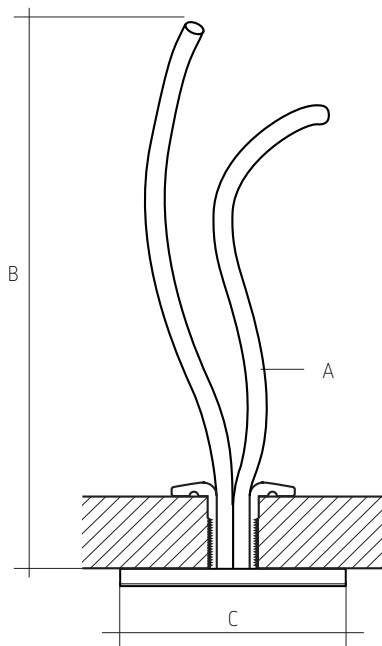


# ROPEYE Tinline

Ropeye Tinline helps you attach the block straight to Ropeye without any additional details. The length of the noose is adjustable.

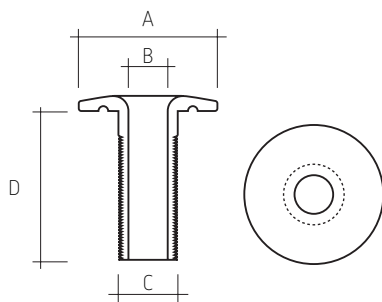
## TWINLINE



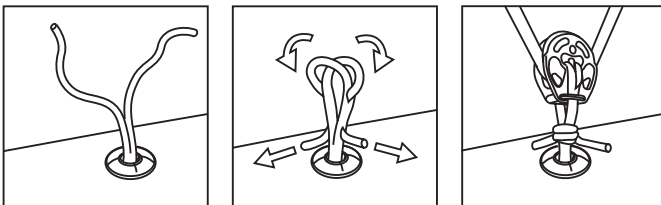
ROPEYE TWL A	A Rope mm	B Loop mm	C Pad mm	Max Breaking Load kg	Safe Working Load kg	Suitable TDP for loop
ROPEYE TWL 4	4	200	50	1900	800	TDP14
ROPEYE TWL 5	5	200	50	2900	1450	TDP16
ROPEYE TWL 6	6	200	50	3900	1950	TDP18

**NB!** ALL PRODUCTS AVAILABLE IN GLASS FIBRE

## TDP



TDP C	A Head dia mm	B Inner dia mm	C Outer dia mm	D Length mm	Material
TDP12	28	8	12	30	Anodised Aluminium
TDP14	30	10	14	30	Anodised Aluminium
TDP16	32	12	16	30	Anodised Aluminium
TDP18	34	14	18	30	Anodised Aluminium
TDP20	36	16	20	30	Anodised Aluminium



© Ropeye is a registered trademark. All rights reserved.  
Ropeye technological design is patented.

[www.ropeye.com](http://www.ropeye.com)